

Please choose a suitable drain!

DN 70

**with strainer unit for balcony floors
without thermal insulation**

LX1060-12X

Drain Art.-No. 19200.070X

with clamping flange,
Series K

weight: 2.6 kg

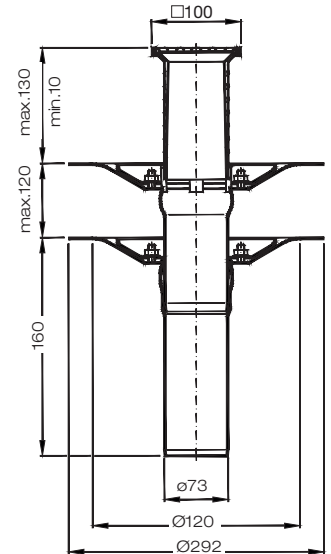
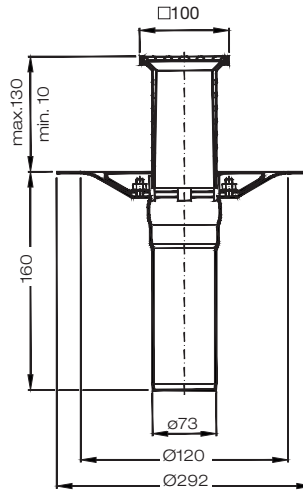


LX1060-13X

Drain Art.-No. 19250.070X

with clamping flange,
Series K

weight: 4.1 kg



**with strainer unit for balcony floors
with thermal insulation**

LX1060-14X

Drain Art.-No. 19210.070X

with clamping flange,
Series K

weight: 2.7 kg



LX1060-15X

Drain Art.-No. 19260.070X

with clamping flange,
Series K

weight: 4.1 kg

